

About dB Control

Established in 1990, dB Control Corp. supplies mission-critical, often sole-source, products worldwide to military organizations, as well as to major defense contractors and commercial manufacturers. dB Control is a subsidiary of the Electronic Technologies Group of HEICO Corp., a publicly traded aerospace and electronics company with more than 60 subsidiaries. dB Control designs and manufactures reliable high-power TWT amplifiers (TWTAs), microwave power modules (MPMs), transmitters, high- and low-voltage power supplies, and modulators for radar, electronic countermeasures (ECM), and data link applications. The modularity of dB Control's designs enables rapid configuration of custom products for a variety of platforms, including ground-based and high-altitude military manned and unmanned aircraft. Acquisitions in 2019 (TTT-Cubed, Inc.), 2021 (Paciwave, Inc.) and 2022 (Charter Engineering, Inc.) added custom RF

Custom RF/Microwave Components and Integrated Assemblies



sources and receivers, RF/microwave components and integrated subsystems, and precision electromechanical switches and components to the company's product offerings. dB Control also offers specialized contract manufacturing and repair depot services from its modern 40,000-square-foot facilities in Fremont, California. The company is AS9100D- and ISO 9001:2015-certified.



Military. Medical. Telecom. Instrumentation.



1120 Auburn St., Fremont, CA 94538
 +1 (510) 656-2325 | info@dbcontrol.com | www.dBControl.com



Custom Solutions for Your Military, Medical, Telecom, and Instrumentation Requirements

PIN Diode Switches

- Low loss
- High power
- Custom to 24 or more throws
- High isolation
- Reflective and Absorptive options
- High speed
- Multipole
- Phase matched
- Low video transients

Pin Attenuators

- Analog controlled, monotonic
- Digitally controlled, monotonic

Switch Matrices

- Vertical integration (no cable interconnects)
- High isolation

Switched Filter Banks

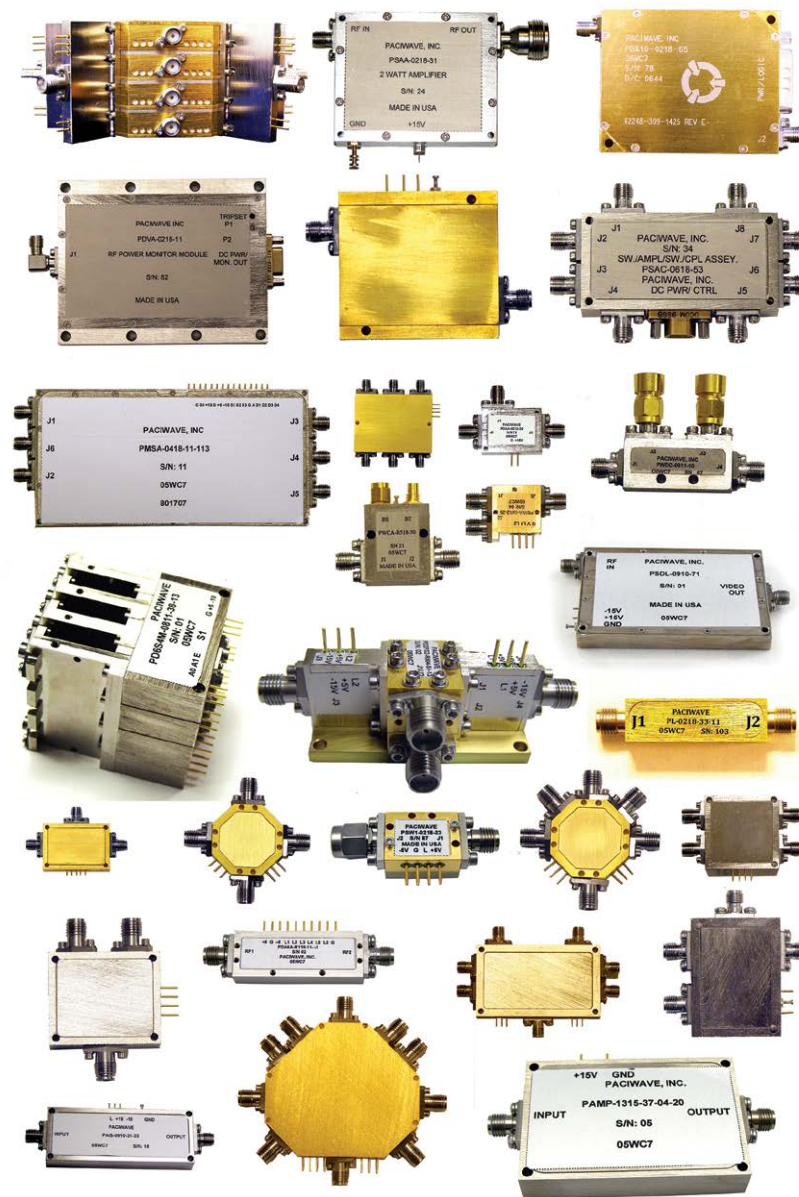
- Fast switching between bands
- High band-to-band isolation

Detector Log Video Amplifiers (DLVAs)

- Up to 85 dB dynamic range
- Broadband
- High speed
- Excellent log accuracy and linearity

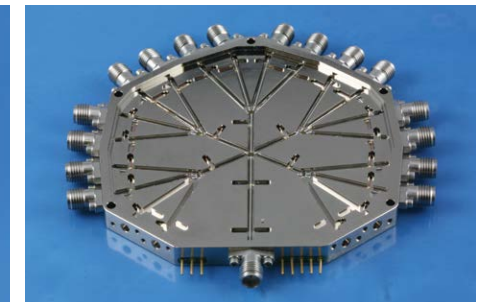
Custom Assemblies and Subsystems

- TR modules
- TX/RX assemblies
- Frequency sources
- Frequency converters
- Broadband receivers and tuners
- Front-end assemblies
- Medium- and high-power amplifiers
- Multifunctional modules



Higher Isolation, Lower Loss, High-Density Integration

dB Control uses a discrete and flexible design approach for complex defense, medical, telecom and instrumentation applications. Our customized and integrated designs offer better performance (high isolation, low loss) and higher efficiency (high-density integration). The result? RF/microwave components and integrated microwave assemblies tailored to your exact SWaP requirements. As a customer, you'll have access to a library of designed modules with proven reliability—so you can be confident in the performance of your customized products.



Reputation for Quality and Reliability

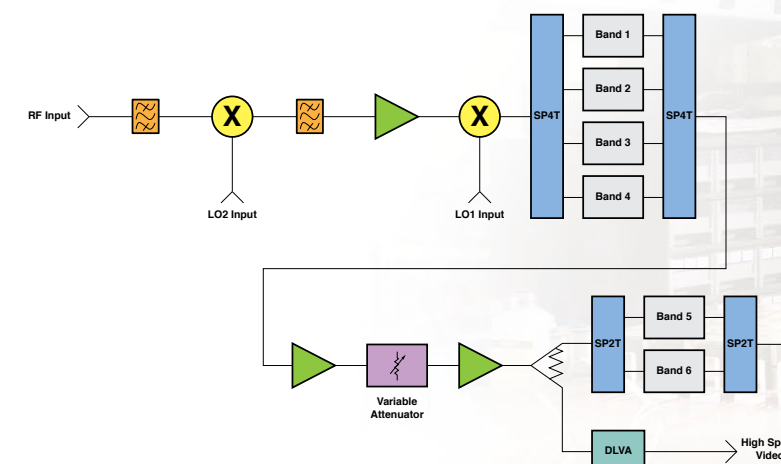
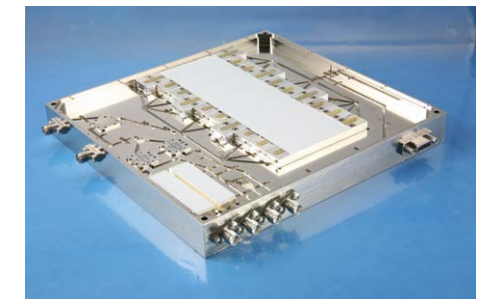
Extensive use of CAD tools such as Agilent Genesis, AutoCAD and other proprietary software

Instrumented from DC to 40 GHz

Quality system per ISO 9001-2015, AS9100D, MIL-Q-9858

Inspections per MIL-I-45208, testing per MIL-STD-883

All products subjected to ESS per program requirements



Reliability by Design®

